



# OFFSHORE FIRE HOSE REELS

# NOHA OFFSHORE HOSE REELS

## Basic documentation for hose reels & cabinet

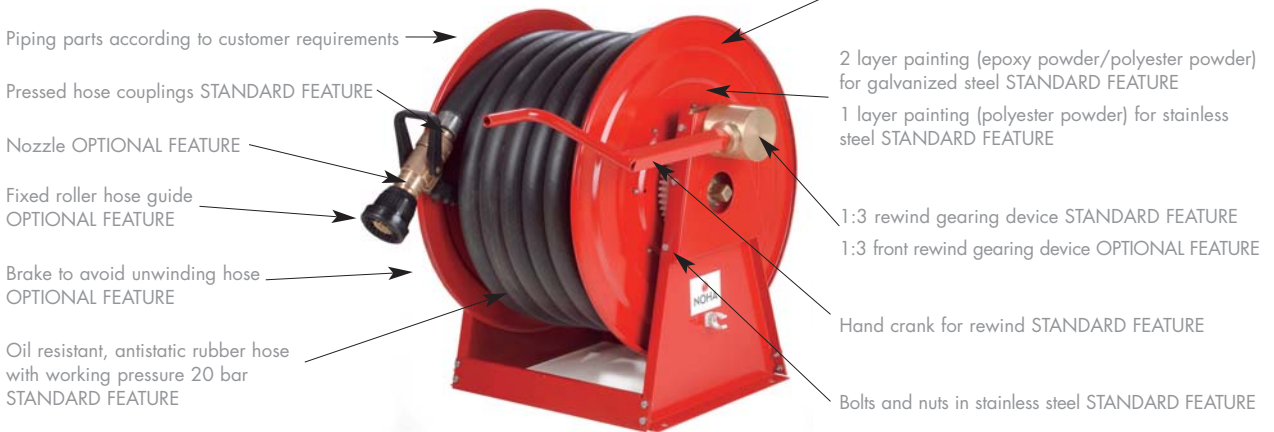
- General assembly drawing
- Materials certificate for piping parts (316L / titanium)  
or Materials datasheet for piping parts (gunmetal)
- Pressure test certificate

## Full documentation for hose reels & cabinet

- General assembly drawing
- Project plan
- Quality plan
- Materials certificate for piping parts (316L / titanium)  
or Materials datasheet for piping parts (gunmetal)

- Traceability log for piping parts (316L / titanium)
- Pressure test certificate
- Painting report

## NOHA OFFSHORE HOSE REELS (HORIZONTAL) FEATURES FOR FLOOR OR WALL MOUNTING


















## APPROXIMATE CAPACITIES

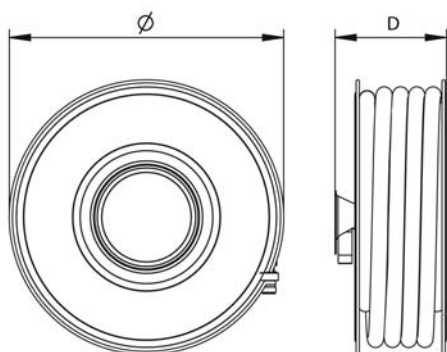
### NOHA offshore fire hose reels

Model	Hose diameter	Nominal Nozzle capacity at 7 bar	Flow at 7 bar (reel inlet)
S11 / S13 / S21 / S23	25 mm	150 l / min	120 l / min
S11 / S13 / S21 / S23	25 mm	360 l / min	220 l / min
S81 / S84 / S 86 / S 88	25 mm	150 l / min	120 l / min
S81 / S84 / S 86 / S 88	31 mm	250 l / min	180 l / min
S81 / S84 / S 86 / S 88 / 81F	38 mm	475 l / min	370 l / min
S91 / S96 (foam side)	25 mm	250 l / min	180 l / min
S91 / S96 (foam side)	31 mm	360 l / min	270 l / min

# CONTENT

	Model S11 .....	5
	Model S11SW .....	6
	Model S13 .....	7
	Model S21 .....	8
	Model S23 .....	9
	Model S81 .....	10
	Model S81F .....	11
	Model S81F in Cabinet .....	12
	Model S84 .....	13
	Model S86 .....	14
	Model S87 .....	15
	Model S88 .....	16
	Model S89 .....	17
	Model S91 .....	18
	Model S96 .....	19

# • NOHA MODEL S11



## NOHA FIXED OFFSHORE HOSE REEL FOR WALL-MOUNTING

Gunmetal piping parts, for sea water.

For use in accommodation and living quarters, drilling areas, production areas offshore and at petrochemical plants.

### NOHA MODEL S11 IS SUPPLIED WITH:

- Hose reel made of galvanized steel
- Piping parts gunmetal
- Paint according to NOHA offshore specification for galvanized steel, RAL 3001 red
- Oil resistant, antistatic rubber hose with working pressure 20 bar
- Water supply through the centre of the reel
- Hose coupling reel end: 1" BSP female, swivel, gunmetal
- Hose coupling nozzle end: 1" BSP male, fixed, gunmetal
- Water inlet 1" BSP male
- Design pressure 20 bar
- Design temperature  $-9/+35^{\circ}\text{C}$
- Nozzle, stop valve and documentation are not included
- NOHA installation instructions

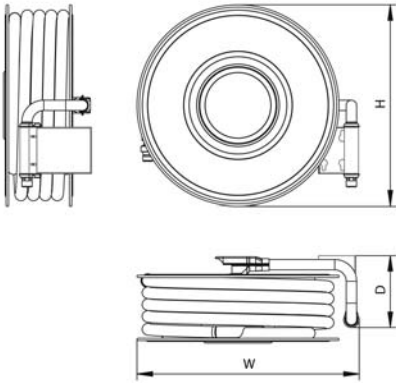
Model	Hose length	Dimensions in mm $\varnothing \times D$	Order number	Dry weight
	25 mm			
S11	0 m	550 x 220	400 001	12 kg
S11	20 m	550 x 220	400 002	30 kg
S11	0 m	550 x 275	400 003	12 kg
S11	25 m	550 x 275	400 004	35 kg
S11	0 m	650 x 275	400 005	13 kg
S11	30 m	650 x 275	400 006	40 kg
S11	0 m	700 x 175	400 007	14 kg
S11	20 m	700 x 175	400 008	32 kg
S11	0 m	700 x 220	400 009	14 kg
S11	25 m	700 x 220	400 010	37 kg

### OPTIONS

- Anti-clockwise rotation



# • NOHA MODEL S11SW



## NOHA SWINGING OFFSHORE HOSE REEL FOR WALL-MOUNTING

Gunmetal/stainless steel piping parts, for sea water.

For use in accommodation and living quarters, drilling areas, production areas offshore and at petrochemical plants.

### NOHA MODEL S11SW IS SUPPLIED WITH:

- Hose reel made of galvanized steel
- Piping parts gunmetal/stainless steel
- Paint according to NOHA offshore specification for galvanized steel, RAL 3001 red
- Oil resistant, antistatic rubber hose with working pressure 20 bar
- Mounting template
- NOHA swinging arm with internal waterways, hinged on right hand side
- Hose coupling reel end: 1" BSP female, swivel, gunmetal
- Hose coupling nozzle end: 1" BSP male, fixed, gunmetal
- Water inlet 1" BSP male
- Design pressure 20 bar
- Design temperature  $-9/+35^{\circ}\text{C}$
- Nozzle, stop valve and documentation are not included
- NOHA installation instructions

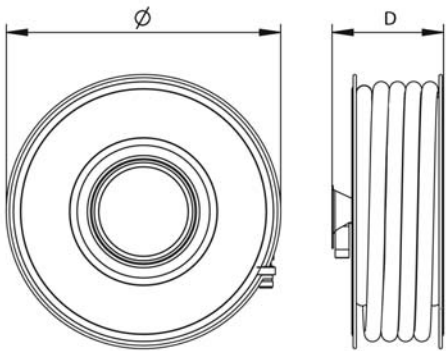
Model	Hose length	Dimensions in mm W x H x D	Order number	Dry weight
	25 mm			
S11SW	0 m	715 x 650 x 235	560 208	17 kg
S11SW	20 m	715 x 650 x 235	560 209	35 kg
S11SW	25 m	715 x 650 x 235	560 202	40 kg
S11SW	30 m	715 x 650 x 235	560 203	44 kg

### OPTIONS

- Hinged on left hand side



# • NOHA MODEL S13



## NOHA FIXED OFFSHORE HOSE REEL FOR WALL-MOUNTING

Titanium piping parts, for sea water.

For use in accommodation and living quarters, drilling areas, production areas offshore and at petrochemical plants.

### NOHA MODEL S13 IS SUPPLIED WITH:

- Hose reel made of galvanized steel
- Piping parts titanium grade 2
- Paint according to NOHA offshore specification for galvanized steel, RAL 3001 red
- Oil resistant, antistatic rubber hose with working pressure 20 bar
- Water supply through the centre of the reel
- Hose coupling reel end: 1" BSP female, swivel, titanium
- Hose coupling nozzle end: 1" BSP male, fixed, gunmetal
- Water inlet 1" BSP male
- Design pressure 20 bar
- Design temperature  $-9/+35^{\circ}\text{C}$
- Nozzle, stop valve and documentation are not included
- NOHA installation instructions

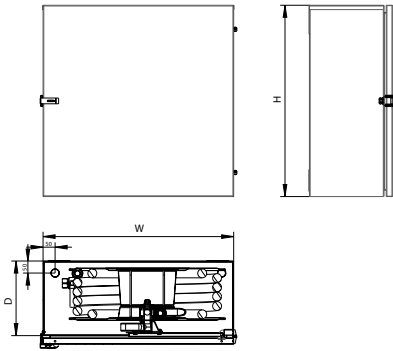
Model	Hose length	Dimensions in mm $\varnothing \times D$	Order number	Dry weight
	25 mm			
S13	0 m	550 x 220	400 031	12 kg
S13	20 m	550 x 220	400 032	30 kg
S13	0 m	550 x 275	400 033	12 kg
S13	25 m	550 x 275	400 034	35 kg
S13	0 m	650 x 275	400 035	13 kg
S13	30 m	650 x 275	400 036	40 kg
S13	0 m	700 x 175	400 037	14 kg
S13	20 m	700 x 175	400 038	32 kg
S13	0 m	700 x 220	400 039	14 kg
S13	25 m	700 x 220	400 040	37 kg

### OPTIONS

- Anti-clockwise rotation



# • NOHA MODEL S21



## NOHA OFFSHORE HOSE REEL IN STAINLESS STEEL CABINET FOR WALL-MOUNTING

Gunmetal piping parts, for sea water.

Hose reel mounted on a swinging arm with internal waterways, which swings 180°.

For use in accommodation and living quarters, drilling areas, production areas offshore and at petrochemical plants.

### NOHA MODEL S21 IS SUPPLIED WITH:

- S11 hose reel made of galvanized steel
- Water inlet 1" BSP male
- Water supply through the centre of the reel
- Hose coupling reel end: 1" BSP female, swivel, gunmetal
- Hose coupling nozzle end: 1" BSP male, fixed, gunmetal
- Piping parts gunmetal
- Oil resistant, antistatic rubber hose with working pressure 20 bar
- Supply hose
- Cabinet made in 1,5 mm stainless steel AISI 316L
- Door fitted with rubber gasket and hinges on right hand side
- One throw-over door catch
- Ø 35 mm knockouts for inlet pipework on 2 sides
- Paint according to NOHA offshore specification for galvanized steel/ stainless steel, RAL 3001 red
- Design pressure 20 bar
- Design temperature -9/+35°C
- Ball valve 1" BSP Bronze
- Nozzle and documentation are not included
- NOHA installation instructions

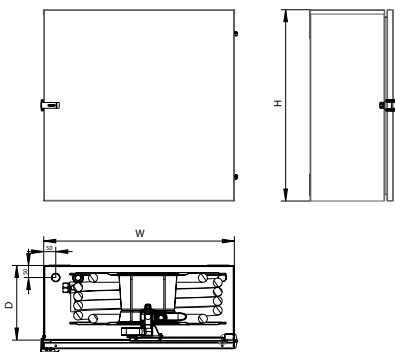
Model	Hose length	Dimensions in mm W x H x D	Order number	Dry weight
	25 mm			
S21	30 m	795 x 795 x 310	560 201	70 kg

### OPTIONS

- Cabinet insulated with 20mm mineral wool protected by galvanized steel cover
- Hinged on left hand side
- Cabinet RAL \_\_\_\_\_
- Heater EX



# • NOHA MODEL S23



## NOHA OFFSHORE HOSE REEL IN STAINLESS STEEL CABINET FOR WALL-MOUNTING

Titanium piping parts, for sea water.

Hose reel mounted on a swinging arm with internal waterways which swings 180°.

For use in accommodation and living quarters, drilling areas, production areas offshore and at petrochemical plants.

### NOHA MODEL S21 IS SUPPLIED WITH:

- S13 hose reel made of galvanized steel
- Water inlet 1" BSP male
- Water supply through the centre of the reel
- Hose coupling reel end: 1" BSP female, swivel, gunmetal
- Hose coupling nozzle end: 1" BSP male, fixed, gunmetal
- Piping parts titanium
- Oil resistant, antistatic rubber hose with working pressure 20 bar
- Supply hose
- Cabinet model made in 1,5 mm stainless steel AISI 316L
- Door fitted with rubber gasket and hinges on right hand side
- One throw-over door catch
- Ø 35 mm knockouts for inlet pipework on 2 sides
- Paint according to NOHA offshore specification for galvanized steel/ stainless steel, RAL 3001 red
- Design pressure 20 bar
- Design temperature -9/+35°C
- Ball valve 1" BSP Titanium
- Nozzle and documentation are not included
- NOHA installation instructions

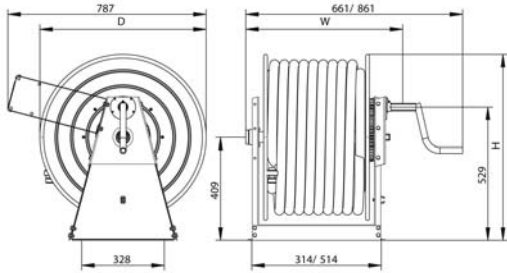
Model	Hose length	Dimensions in mm W x H x D	Order number	Dry weight
	25 mm			
S23	30 m	795 x 795 x 310	560 210	70 kg

### OPTIONS

- Cabinet insulated with 20mm mineral wool protected by galvanized steel cover
- Hinged on left hand side
- Cabinet RAL \_\_\_\_\_
- Heater EX



# • NOHA MODEL S81



## OFFSHORE FIRE HOSE REEL FOR FLOOR- OR WALL-MOUNTING

Gunmetal piping parts, for sea water.

A brake is recommended if the reel is to be wall-mounted.

For use in production areas offshore and at petrochemical plants, and on helideck together with foam

### NOHA MODEL S81 IS SUPPLIED WITH:

- Hose reel made of galvanized steel
- Piping parts gunmetal
- Paint according to NOHA offshore specification for galvanized steel, RAL 3001 red
- Oil resistant, antistatic rubber hose with working pressure 20 bar
- 1:3 rewind gearing device with hand-crank
- Water inlet 2" BSP male left hand side
- Design pressure 20 bar
- Design temperature -9/+35°C
- Water supply through the centre of the reel
- Hose coupling reel end 25mm: 1" BSP female, swivel, gunmetal
- Hose coupling nozzle end 25mm: 1" BSP male, fixed, gunmetal
- Hose coupling reel end 31mm: 1" BSP female, swivel, gunmetal
- Hose coupling nozzle end 31mm: 1" BSP male, fixed, gunmetal
- Hose coupling reel end 38mm: 1 1/2" BSP female, swivel, gunmetal
- Hose coupling nozzle end 38mm: 1 1/2" BSP male, fixed, gunmetal
- Nozzle and documentation are not included
- NOHA installation instructions

Model	Hose length			Dimensions in mm W x H x D	Order number	Dry weight
	25 mm	31 mm	38 mm			
S81	0 m			430 x 740 x 660	400 050	35 kg
S81	20 m			430 x 740 x 660	400 046	54 kg
S81	25 m			430 x 740 x 660	400 045	58 kg
S81	30 m			430 x 740 x 660	400 051	62 kg
S81	0 m			630 x 740 x 660	400 099	43 kg
S81	50 m			630 x 740 x 660	400 100	88 kg
S81		0 m		630 x 740 x 660	400 099	43 kg
S81		30 m		630 x 740 x 660	400 053	75 kg
S81			0 m	630 x 740 x 660	400 054	43 kg
S81			30 m	630 x 740 x 660	400 055	82 kg

### OPTIONS

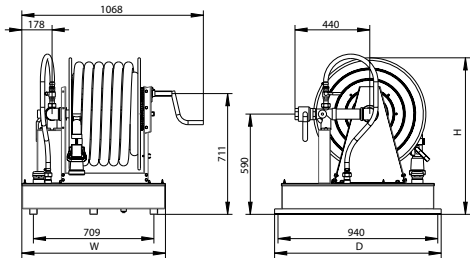
- Water inlet right hand side
- Hose reel sheet metal parts made of stainless steel
- Color RAL \_\_\_\_\_

### ACCESSORIES:

- Brake
- Hose guide 314
- Hose guide 514
- Front rewind



# • NOHA MODEL S81F



## NOHA FIRE HOSE REEL WITH FOAM TANK

Gunmetal piping parts, for sea water.

For use in drilling areas, production areas offshore and at petrochemical plants, helideck and industrial sites

### NOHA MODEL S81F IS SUPPLIED WITH:

- Water supply through the centre of the reel
- Oil-resistant, antistatic rubber hose with working pressure 20 bar
- Akron 3019 nozzle
- 200 litres/min. foam inductor, adjustable for 0-6% mixture of foam concentrate
- 2" SST isolating valve
- Water inlet 2" BSP female thread
- 1:3 gearing device with hand crank
- Foam tank stainless steel AISI 316L
- Design temperature 0 -/+ 35°C
- Hose reel made of galvanized steel
- Waterways made of gunmetal/stainless steel
- Working pressure 3-10 bar
- Paint according to NOHA offshore specification for galvanized steel, RAL 3001 red
- Instructions for use and maintenance
- Foam concentrate is not included
- NOHA installation instructions

Model	Hose length	Dimensions in mm W x H x D	Order number	Dry weight
	38 mm			
S81F 100 L	30 m	845 x 920 x 980	155 507	135 kg
S81F 200 L	30 m	845 x 1080 x 980	560 211	141 kg

### OPTIONS

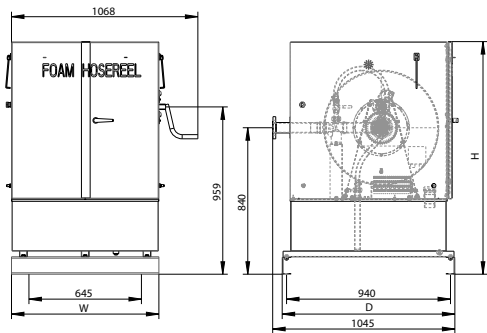
- Front rewind
- Hose reel sheet metal parts made of stainless steel

### ACCESSORIES:

- Hose guide 514
- Akron foam adapter for the Akron 3019 nozzle
- Brake



# • NOHA MODEL S81F IN CABINET



## NOHA FIRE HOSE REEL IN STAINLESS STEEL CABINET, WITH FOAM TANK

Gunmetal piping parts, for sea water.

For use in drilling areas, production areas offshore and at petrochemical plants, helideck and industrial sites

### NOHA MODEL S81F IS SUPPLIED WITH:

- Water supply through the centre of the reel
- Oil-resistant, antistatic rubber hose with working pressure 20 bar
- Akron 3019 nozzle
- 200 litres/min. foam inductor, adjustable for 0-6% mixture of foam concentrate
- 2" SST isolating valve
- Water inlet 2" BSP female thread
- 1:3 gearing device with hand crank
- Foam tank stainless steel AISI 316L
- Design temperature 0 -/+ 35°C
- Cabinet in stainless steel AISI 316L
- Hose reel made of galvanized steel
- Waterways made of gunmetal/stainless steel
- Working pressure 3-10 bar
- Paint according to NOHA offshore specification for galvanized steel/stainless steel, RAL 3001 red
- Instructions for use and maintenance
- Foam concentrate is not included
- NOHA installation instructions

Model	Hose length	Dimensions in mm W x H x D	Order number	Dry weight
	38 mm			
S81F 100 L	30 m	845 x 1175 x 990	560 212	
S81F 200 L	30 m	845 x 1335 x 990	560 213	210 kg 220 kg

### OPTIONS

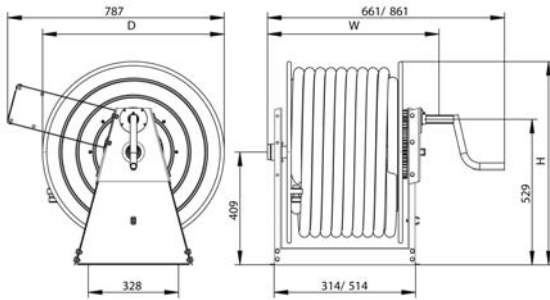
- Hose reel sheet metal parts made of stainless steel
- Insulated with 20mm mineral wool protected by 1mm stainless steel cover
- Cabinet RAL \_\_\_\_\_

### ACCESSORIES:

- Brake
- Akron foam adapter for the Akron 3019 nozzle



# • NOHA MODEL S84



## OFFSHORE FIRE HOSE REEL FOR FLOOR- OR WALL-MOUNTING

Stainless steel piping parts, for sea water.

A brake is recommended if the reel is to be wall-mounted.

For use in production areas offshore and at petrochemical plants, and on helideck together with foam

### NOHA MODEL S84 IS SUPPLIED WITH:

- Hose reel made of galvanized steel
- Piping parts 316L forged austenitic stainless steel
- Paint according to NOHA offshore specification for galvanized steel, RAL 3001 red
- Oil resistant, antistatic rubber hose with working pressure 20 bar
- 1:3 rewind gearing device with hand-crank
- Water inlet 2" BSP male left hand side
- Design pressure 20 bar
- Design temperature -9/+35°C
- Water supply through the centre of the reel
- Hose coupling reel end 25mm: 1" BSP female, swivel, 316L
- Hose coupling nozzle end 25mm: 1" BSP male, fixed, gunmetal
- Hose coupling reel end 31mm: 1" BSP female, swivel, 316L
- Hose coupling nozzle end 31mm: 1" BSP male, fixed, gunmetal
- Hose coupling reel end 38mm: 1 1/2" BSP female, swivel, 316L
- Hose coupling nozzle end 38mm: 1 1/2" BSP male, fixed, gunmetal
- Nozzle and documentation is not included
- NOHA installation instructions

Model	Hose length			Dimensions in mm W x H x D	Order number	Dry weight
	25 mm	31 mm	38 mm			
S84	0 m			430 x 740 x 660	400 068	35 kg
S84	30 m			430 x 740 x 660	400 069	62 kg
S84		0 m		630 x 740 x 660	400 070	43 kg
S84		30 m		630 x 740 x 660	400 071	75 kg
S84			0 m	630 x 740 x 660	400 072	43 kg
S84			30 m	630 x 740 x 660	400 073	82 kg

### OPTIONS

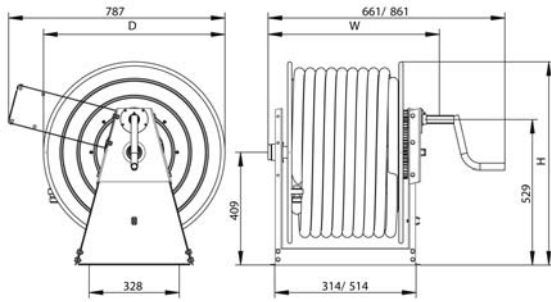
- Water inlet right hand side
- Hose reel sheet metal parts made of stainless steel
- Color RAL \_\_\_\_\_

### ACCESSORIES:

- Brake
- Hose guide 314
- Hose guide 514
- Front rewind



# • NOHA MODEL S86



## OFFSHORE FIRE HOSE REEL FOR FLOOR- OR WALL-MOUNTING

Titanium piping parts, for sea water.

A brake is recommended if the reel is to be wall-mounted.

For use in production areas offshore and at petrochemical plants, and on helideck together with foam

### NOHA MODEL S86 IS SUPPLIED WITH:

- Hose reel made of galvanized steel
- Piping parts titanium grade 2
- Paint according to NOHA offshore specification for galvanized steel, RAL 3001 red
- Oil resistant, antistatic rubber hose with working pressure 20 bar
- 1:3 rewind gearing device with hand-crank
- Water inlet 2" BSP male left hand side
- Design pressure 20 bar
- Design temperature -9/+35°C
- Water supply through the centre of the reel
- Hose coupling reel end 25mm: 1" BSP female, swivel, titanium
- Hose coupling nozzle end 25mm: 1" BSP male, fixed, gunmetal
- Hose coupling reel end 31mm: 1" BSP female, swivel, titanium
- Hose coupling nozzle end 31mm: 1" BSP male, fixed, gunmetal
- Hose coupling reel end 38mm: 1 1/2" BSP female, swivel, titanium
- Hose coupling nozzle end 38mm: 1 1/2" BSP male, fixed, gunmetal
- Nozzle and documentation is not included
- NOHA installation instructions

Model	Hose length			Dimensions in mm W x H x D	Order number	Dry weight
	25 mm	31 mm	38 mm			
S86	0 m			430 x 740 x 660	400 074	35 kg
S86	30 m			430 x 740 x 660	400 075	62 kg
S86		0 m		630 x 740 x 660	400 076	43 kg
S86		30 m		630 x 740 x 660	400 077	75 kg
S86			0 m	630 x 740 x 660	400 078	43 kg
S86			30 m	630 x 740 x 660	400 079	82 kg

### OPTIONS

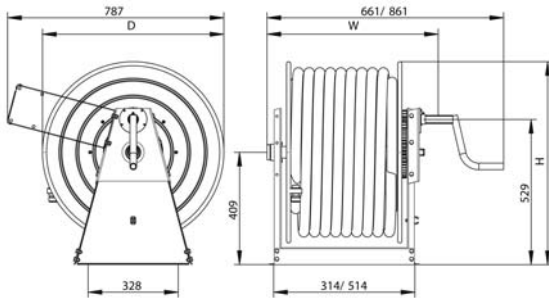
- Water inlet right hand side
- Hose reel sheet metal parts made of stainless steel
- Color RAL \_\_\_\_\_

### ACCESSORIES:

- Brake
- Hose guide 314
- Hose guide 514
- Front rewind



# • NOHA MODEL S87



## NOHA UTILITY HOSE REEL, PLANT AIR

For general maintenance purposes.

### NOHA MODEL S87 IS SUPPLIED WITH:

- Hose reel made of galvanized steel
- Piping parts 316L stainless steel
- Paint according to NOHA offshore specification for galvanized steel, RAL 5017 blue
- Supply through the centre of the reel
- Hose connection to reel: 1" BSP female
- Reel inlet 2" BSP female left hand side
- Hand crank for rewind
- Design pressure 12 bar
- Design temperature  $-9/+35^{\circ}\text{C}$
- Hose and documentation are not included
- NOHA installation instructions

Model	Hose length	Dimensions in mm W x H x D	Order number	Dry weight
	25 mm			
S87	0 m	380 x 740 x 660	400 151	35 kg
S87	0 m	580 x 740 x 660	400 152	40 kg

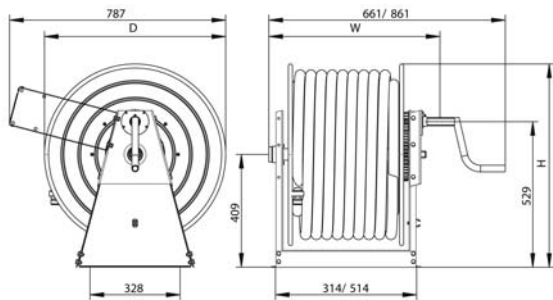
### OPTIONS

- Reel inlet right hand side
- Hose reel sheet metal parts made of stainless steel

### ACCESSORIES:

- Hose guide 314
- Hose guide 514
- 1:3 gearing device

# • NOHA MODEL S88



## NOHA UTILITY HOSE REEL, DIESEL

For general maintenance purposes

### NOHA MODEL S88 IS SUPPLIED WITH:

- Hose reel made of galvanized steel
- Piping parts gunmetal
- Paint according to NOHA offshore specification for galvanized steel, RAL 8002 brown
- Supply through the centre of the reel
- Reel inlet 2" BSP female left hand side
- Hand crank for rewind
- Design pressure 15 bar
- Design temperature -9/+35°C
- Oil resistant antistatic rubber hose with working pressure 20 bar
- Hose coupling reel end 25mm: 1" BSP female, swivel, gunmetal
- Hose coupling nozzle end 25mm: 1" BSP male, fixed, gunmetal
- Hose coupling reel end 38mm: 1 1/2" BSP female, swivel, gunmetal
- Hose coupling nozzle end 38mm: 1 1/2" BSP male, fixed, gunmetal
- Documentation and nozzle are not included
- NOHA installation instructions

Model	Hose length			Dimensions in mm W x H x D	Order number	Dry weight
	25 mm	31 mm	38 mm			
S88	0 m			380 x 740 x 660	400 161	
S88	20 m			380 x 740 x 660	400 162	35 kg
S88	25 m			380 x 740 x 660	400 163	54 kg
S88	0 m			580 x 740 x 660	400 164	58 kg
S88			0 m	630 x 740 x 660	400 165	40 kg
						43 kg

### OPTIONS

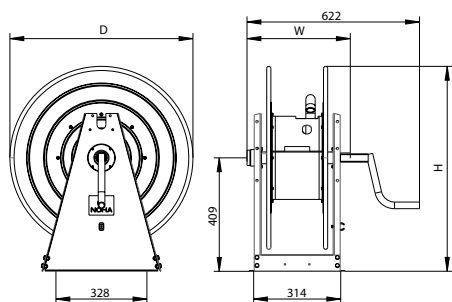
- Reel inlet right hand side
- Hose reel sheet metal parts made of stainless steel

### ACCESSORIES:

- Hose guide 314
- Hose guide 514
- Pusi fuel pistol
- 1:3 gearing device



# • NOHA MODEL S89



## NOHA UTILITY HOSE REEL, HP 230 BAR

For general maintenance purposes.

### NOHA MODEL S89 IS SUPPLIED WITH:

- Hose reel made of galvanized steel
- Piping parts AISI 316L stainless steel
- Paint according to NOHA offshore specification for galvanized steel, RAL 6024 green
- Water supply through the centre of the reel
- Reel inlet: 1/2" NPT male thread left hand side
- Hose connection to reel 3/8" BSP female thread, 60° cone
- Hand crank for rewind
- Design pressure 230 bar
- Design temperature -5,5/+95°C
- Hose and documentation are not included
- NOHA installation instructions

Model	Hose length	Dimensions in mm W x H x D	Order number	Dry weight
	10 mm			
S89	0 m	380 x 740 x 660	400 171	35 kg

### OPTIONS

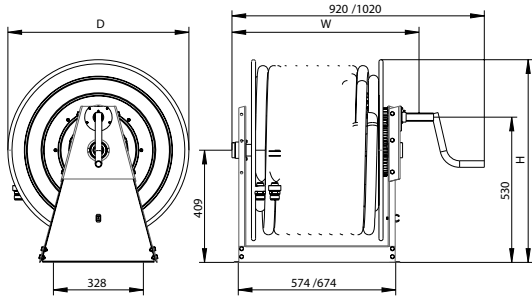
- Water inlet right hand side
- Hose reel sheet metal parts made of stainless steel

### ACCESSORIES:

- Hose guide 314
- 10mm hose
- 1:3 gearing device



# • NOHA MODEL S91



## NOHA DUAL AGENT FIRE HOSE REEL

Gunmetal piping parts for foam and powder.

For use in drilling areas, production areas offshore and at petrochemical plants and helideck

### NOHA MODEL S91 IS SUPPLIED WITH:

- Hose reel made of galvanized steel
- Piping parts gunmetal
- Paint according to NOHA offshore specification for galvanized steel, RAL 3001 red
- 2 x 30m oil resistant, antistatic hose laid in a lay flat hose cover
- 1:3 rewind gearing device with hand-crank
- Reel inlet 2 x 2" BSP male
- Design pressure 12 bar
- Design temperature  $-9/+35^{\circ}\text{C}$
- Hose couplings reel ends: 1" BSP female, swivel, gunmetal
- Hose couplings nozzle end: 1" BSP male, fixed, gunmetal
- Dual piping through the centre of the reel
- Nozzle and documentation are not included
- NOHA installation instructions

Model	Hose length		Dimensions in mm W x H x D	Order number	Dry weight
	25 mm	31 mm			
S91	0 m / 0 m		670 x 740 x 660	400 090	43 kg
S91	30 m / 30 m		670 x 740 x 660	400 091	100 kg
S91	0 m	0 m	770 x 740 x 660	400 092	48 kg
S91	30 m	30 m	770 x 740 x 660	400 093	120 kg

### OPTIONS

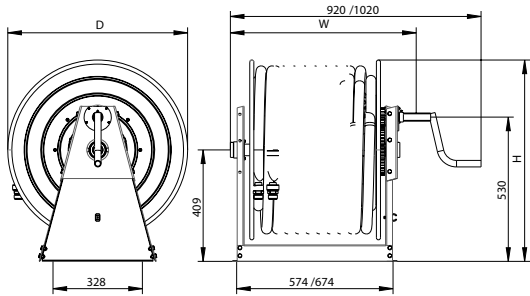
- Hose reel sheet metal parts made of stainless steel

### ACCESORIES:

- NOHA dual agent nozzle



# • NOHA MODEL S96



## NOHA DUAL AGENT FIRE HOSE REEL

Titanium piping parts for foam and powder.

For use in drilling areas, production areas offshore and at petrochemical plants and helideck

### NOHA MODEL S96 IS SUPPLIED WITH:

- Hose reel made of galvanized steel
- Foam bearing parts titanium grade 2
- Powder bearing parts gunmetal
- Paint according to NOHA offshore specification for galvanized steel, RAL 3001 red
- 2 x 30m oil resistant, antistatic hose laid in a lay flat hose cover
- 1:3 rewind gearing device with hand-crank
- Reel inlet 2 x 2" BSP male
- Design pressure 12 bar
- Design temperature -9/+35°C
- Hose couplings reel ends: 1" BSP female, swivel, titanium/gunmetal
- Hose couplings nozzle ends: 1" BSP male, fixed, gunmetal
- Dual piping through the centre of the reel
- Nozzle and documentation is not included
- NOHA installation instructions

Model	Hose length		Dimensions in mm W x H x D	Order number	Dry weight
	25 mm	31 mm			
S96	0 m / 0 m		670 x 740 x 660	400 102	100 kg
S96	30 m / 30 m		670 x 740 x 660	400 103	48 kg
S96	0 m	0 m	770 x 740 x 660	400 104	120 kg
S96	30 m	30 m	770 x 740 x 660	400 105	

### OPTIONS

- Hose reel with sheet metal parts made of stainless steel

### ACCESORIES:

- NOHA dual agent nozzle



# NOHA OFFSHORE REFERENCE LIST

## Main projects

Customer:	Project	Products:
Statoil	Sleipner East Heidrun Living Quarter Sleipner West Norne Siri Living Quarter Siri Åsgard B	Fire hose reels Fire hose reels Fire hose reels Fire hose reels Fire protection Utility hose reels Fire extinguishers and ancillaries equipment
Hydro	Brage Main Module Brage Living Quarters Troll Oil Njord Visund Oseberg East Troll C Oseberg Gas Snorre B Grane Ormen Lange	Fire and utility hose reels Fire hose reels Fire and utility hose reels Fire and utility hose reels Utility hose reels Utility hose reels Utility hose reels Utility hose reels Fire extinguishers and ancillaries equipment Fire and utility hose reels Utility hose reels
Saga	Snorre Vigdis	Fire hose reels Fire hose reels
Norske Shell	Draugen Topsides Troll Gas Troll Onshore	Utility hose reels Fire and utility hose reels Fire and utility hose reels
ELF	Froey Wellhead Froey Tie In	Fire hose reels Fire hose reels
Phillips	Ekofisk II Eldfisk 2/7 E	Fire and utility hose reels Fire protection
Sevan Marine Sevan Marine	Piranema 300 Hemmingbird	Fire hose reels Fire hose reels
FiFi Systems FiFi Systems FiFi Systems FiFi Systems	Tamar Gullfaks Fase 2 Transocean Artic Grane	Fire hose reels Fire hose reels Fire hose reels Fire hose reels
INMACO INMACO INMACO	Enfield, Australia Buzzard, UK Alvheim	Fire hose reels Fire hose reels Fire hose reels
WME WME WME WME WME WME McCulloch Field	West E-Drill West Eminence Offshore Rig Aker Stord Hó Riggs Petrojarl	Fire hose reels Fire hose reels Fire hose reels Fire hose reels Fire hose reels Fire hose reels

**NOHA NORWAY AS**

Lagerveien 25, N-4033 Stavanger, Norway  
Phone +47 51 81 60 00, fax +47 51 81 60 01

[sale@noha.no](mailto:sale@noha.no)  
[www.noha.no](http://www.noha.no)

