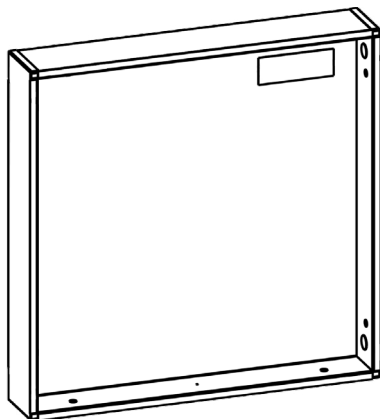
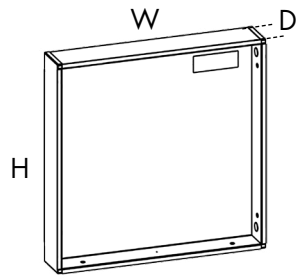


# INSTALLATION

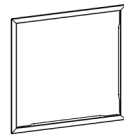
## EI 60 box for fire retardant walls

Suitable for NOHA Hose Reel Cabinet 795 x 795

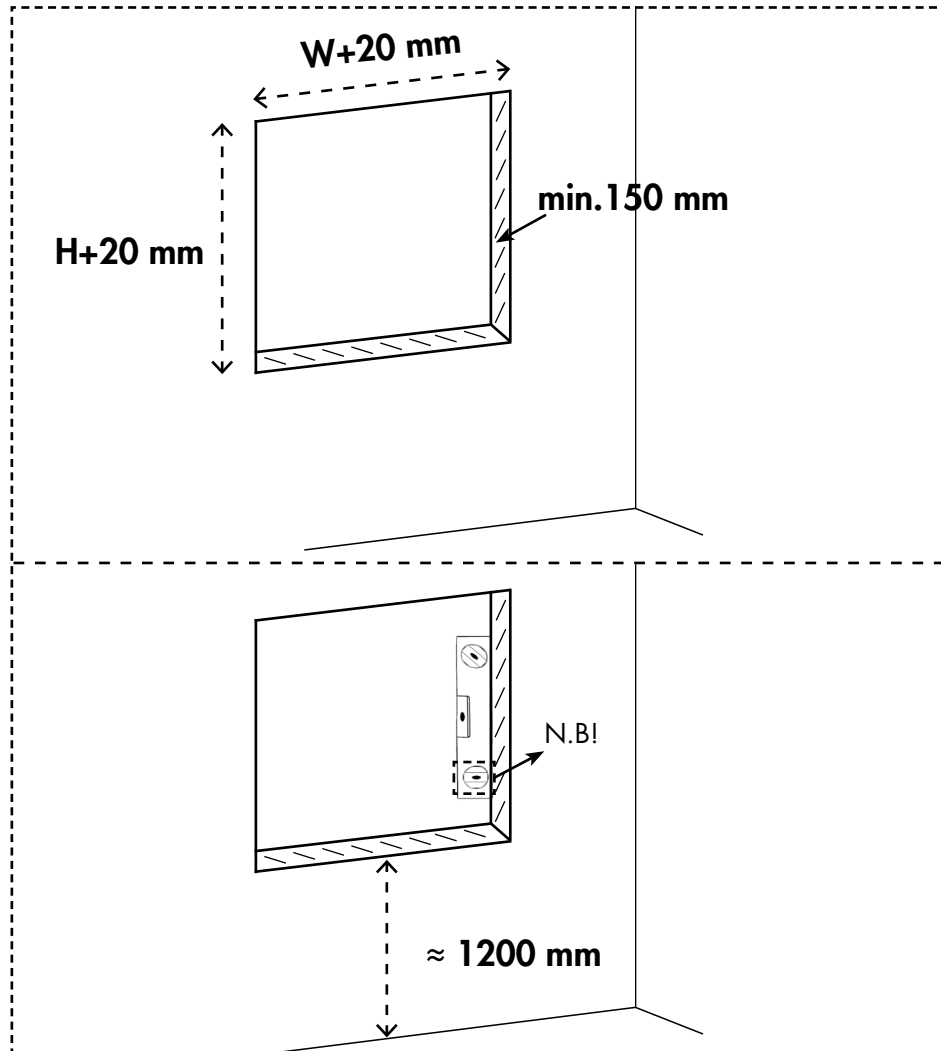




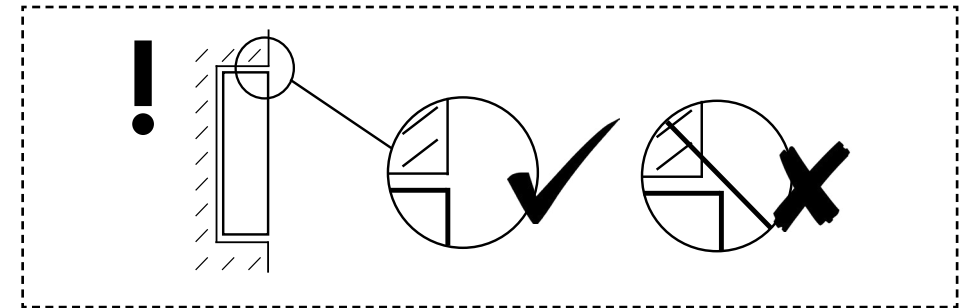
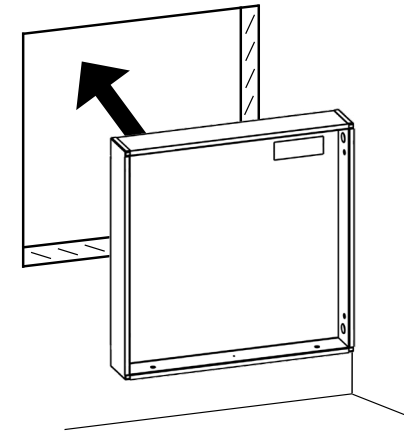
W 838 mm  
H 838 mm  
D 150 mm



Frame dimensions  
Inner: 795 x 795mm  
Outer: 875 x 875mm



1



2

Screws for  
fixing to wall  
not included.

